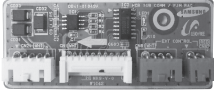

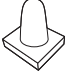


Remocon module installation

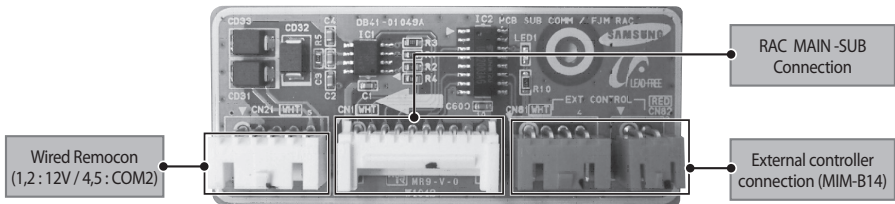
DB98-33102A-03



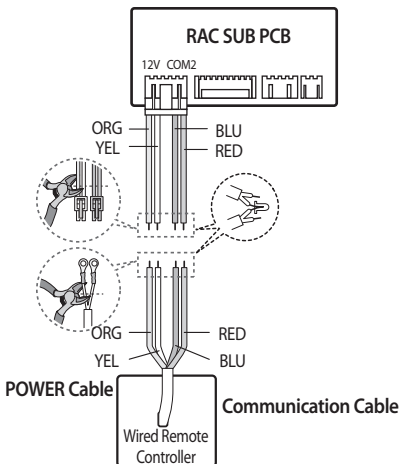
Components parts

Product name	RAC-SUB PBA	Harness Wire (for Wired Remocon)	Wire Joint
Quantity	1EA	1EA	4EA
Shape			
Code	DB93-11412A	DB93-11405A	DB96-90020A

Description



RAC SUB PBA - Wired Remote Controller Wire Connection



Connection to an upper controller

